

**TOM NEWBY SCHOOL****YEAR END TEST**

50

Subject	MATHEMATICS	Examiner	MRS J OTTO
Date	November 2021	Total marks	50
Term	4	Duration	1 HOUR
Grade	5	Moderator	MRS M. FOURIE
Special instructions/ Equipment	1. Read all the instructions carefully. 2. All calculations must be shown on the question paper. 3. Write neatly and legibly with a pen. 4. The use of a calculator is not allowed.		

Name:	Surname:	Class:
--------------	-----------------	---------------

QUESTION 1: MULTIPLE CHOICE [10]

Choose the correct answer and write the letter only in the table given below.

1.1 Five hundred and eighty two thousand and sixteen – in digits:

- A. 582 160
- B. 582 016
- C. 528 160
- D. 528 016

(1)

1.2 Which number is a multiple of 4?

- A. 63
- B. 81
- C. 95
- D. 32

(1)

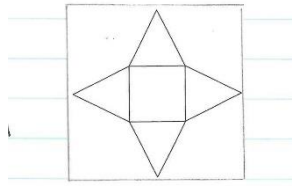
1.3 The missing number for the equivalent fraction of $\frac{3}{7} = \frac{\quad}{21}$ is

- A. 9
- B. 6
- C. 15
- D. 12

(1)

1.4 Which 3-D object can be made with the following net?

- A. Cube
- B. Triangular prism
- C. Square based pyramid
- D. Triangular pyramid



(1)

1.5 3 hours is equal to

- A. 180 minutes
- B. 160 minutes
- C. 150 minutes
- D. 120 minutes

(1)

1.6 7km converted to m is equal to

- A. 750m
- B. 70m
- C. 700m
- D. 7 000m

(1)

1.7 Vusi mixes 2L of water with 20ml of juice concentrate to make juice.

How many litres of water will he need to mix 80ml of juice concentrate?

- A. 4L
- B. 8L
- C. 10L
- D. 12L

(1)

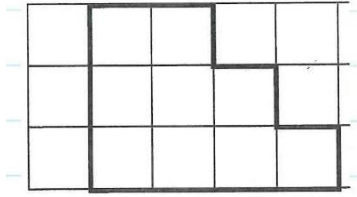
1.8 14 416 rounded off to the nearest thousand is

- A. 14 400
- B. 15 000
- C. 14 500
- D. 14 000

(1)

1.9 The perimeter of this shape is

- A. 15cm
 B. 12cm
 C. 14cm
 D. 10cm



(1)

1.10 What is the missing number in the number sentence?

$$80 - 14 = \square - 5$$

- A. 71
 B. 72
 C. 73
 D. 74

(1)

1.1	1.2	1.3	1.4	1.5	1.6	1.7	1.8	1.9	1.10

QUESTION 2: COMMON FRACTIONS [7]

2.1 Write the correct relationship sign $>$, $<$ or $=$

$$\frac{1}{2} \text{ ————— } \frac{1}{10}$$

(1)

2.2 Complete the following pattern

$$3\frac{1}{3}; 3\frac{2}{3}; \text{ ————— }$$

(1)

2.3 Calculate the following

a) $4\frac{3}{8} + 2\frac{5}{8}$

= _____

= _____

(2)

b) $\frac{1}{7}$ of 35 apples

= _____

= _____

(1)

c) Siphso spent $\frac{4}{12}$ of his salary on housing and electricity and another $\frac{5}{12}$ of his salary on food. What fraction of his salary was left over these expenses?

= _____
 = _____
 = _____

(2)

QUESTION 3: LENGTH [4]

3.1 Complete the table

cm	m and cm	Round off to the nearest m
652	a) _____	b) _____

(2)

3.2 The distance between Johannesburg and Port Elizabeth is 1 075km. What distance will you travel if you go there and back?

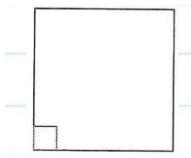
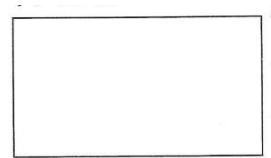
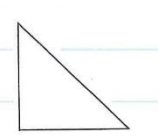
= _____
 = _____

(2)

QUESTION 4: SHAPES [10]

4.1 Choose the correct description to go with each 2-D shape.

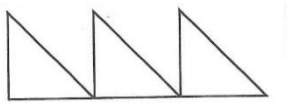
Write the correct letter next to the number that match with it. E.g. 4.1.1 (a) at the bottom of the table.

SHAPES		
4.1.1 	4.1.2 	4.1.3 
DESCRIPTIONS		
a) It has three sides and one right angle	b) It has four right angles and four equal sides	c) It has opposite sides of equal length and four right angles

4.1.1 _____ 4.1.2 _____ 4.1.3 _____

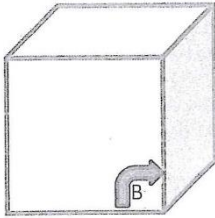
(3)

4.2 Write whether this transformation is a reflection, translation or a rotation.



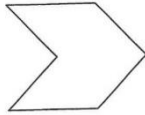
(1)

4.3 What type of angle is shown at B?



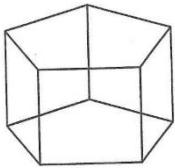
(1)

4.4 How many lines of symmetry does this shape have?



(1)

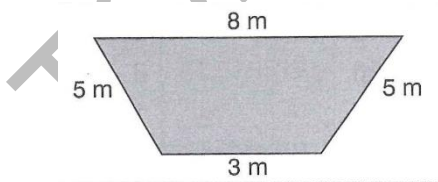
4.5 Complete the table

3-D object	Name of object	Number of faces	Shapes of faces
	a) _____ _____	b) _____	c) _____ _____

(4)

QUESTION 5: PERIMETER, AREA AND VOLUME [5]

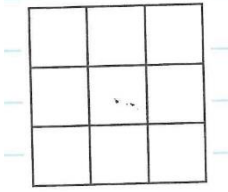
5.1 Look at the polygon. The measurements have been filled in. Complete the table



Name of 2-D shape	Length of each side	Perimeter
a) _____ _____	b) _____ _____	c) _____ _____

(3)

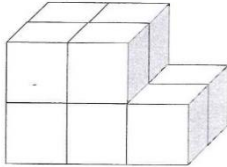
5.2 If each block is 1cm squared, what is the area of this shape?



Area = _____

(1)

5.3 Write down the volume of this object by counting the cubic cm (cm³)



Volume = _____

(1)

QUESTION 6: TIME [7]

6.1 Fill in > ; < or =

A) 20 hours _____ 1 day

B) 2 years _____ 24 months

(2)

6.2 Write the time on the clock shown in 24h time and 12h (a.m or p.m)



going to bed

a) 24h time: _____

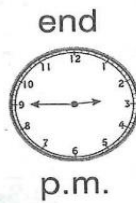
b) 12h time: _____

(2)

6.3 Calculate the length of time for this activity

Example: 4:00 p.m. to 5:00 p.m. \longrightarrow 60 min

Reading



(1)

- 6.4 Jo took 45 seconds to run around the field.
If he kept the same speed, how long would it take for him to run around the field 10 times.
Write your answer in seconds(s) and minute (min)



(2)

QUESTION 7: CAPACITY [7]

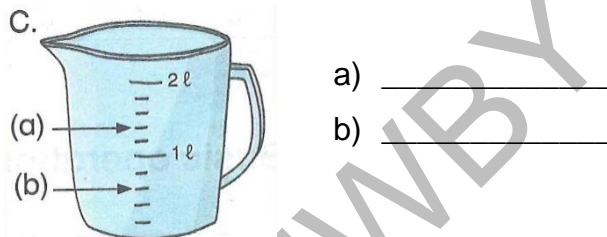
- 7.1 Convert to (ml)

A) $7\frac{1}{2}$ L = _____ ml

B) 3 L 9ml = _____ ml

(2)

- 7.2 Write down the capacity of the jug in ml



(2)

- 7.3 2L 875ml of water was poured from a jug containing 4L 500ml of water. How much water was left in the container? Write your answer in L and ml.

(3)

TOTAL : 50